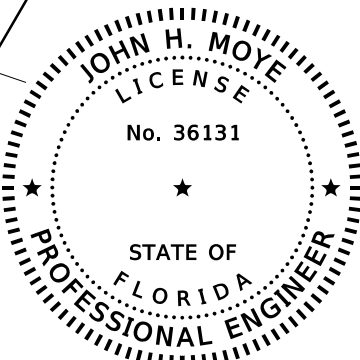
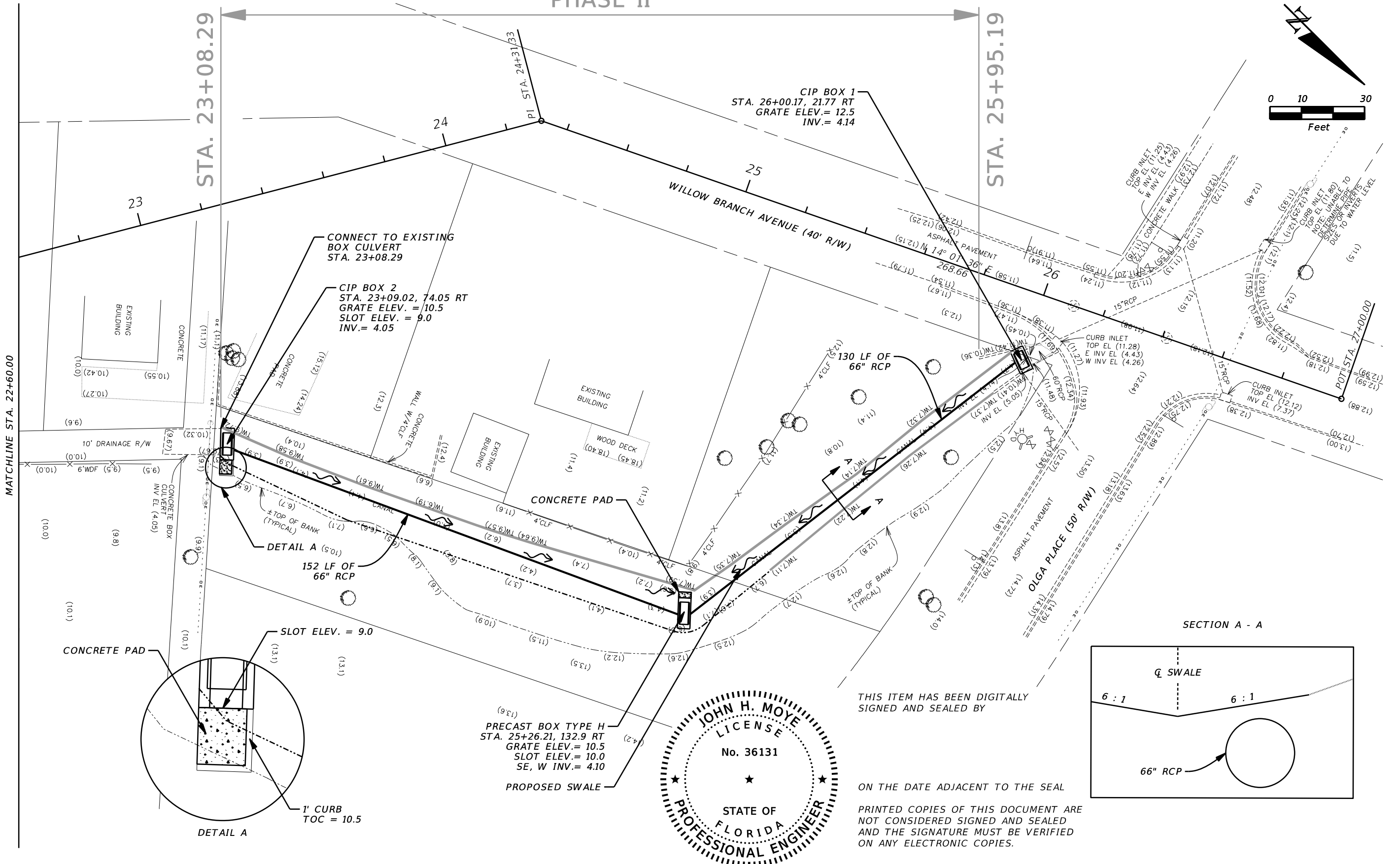
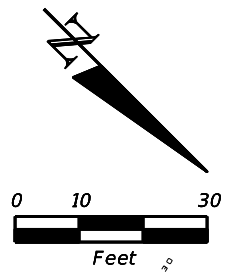


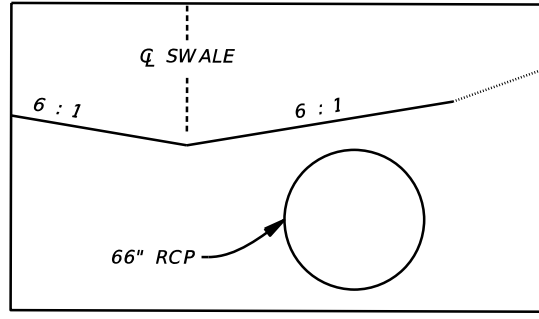
PHASE II



THIS ITEM HAS BEEN DIGITALLY SIGNED AND SEALED BY

ON THE DATE ADJACENT TO THE SEAL

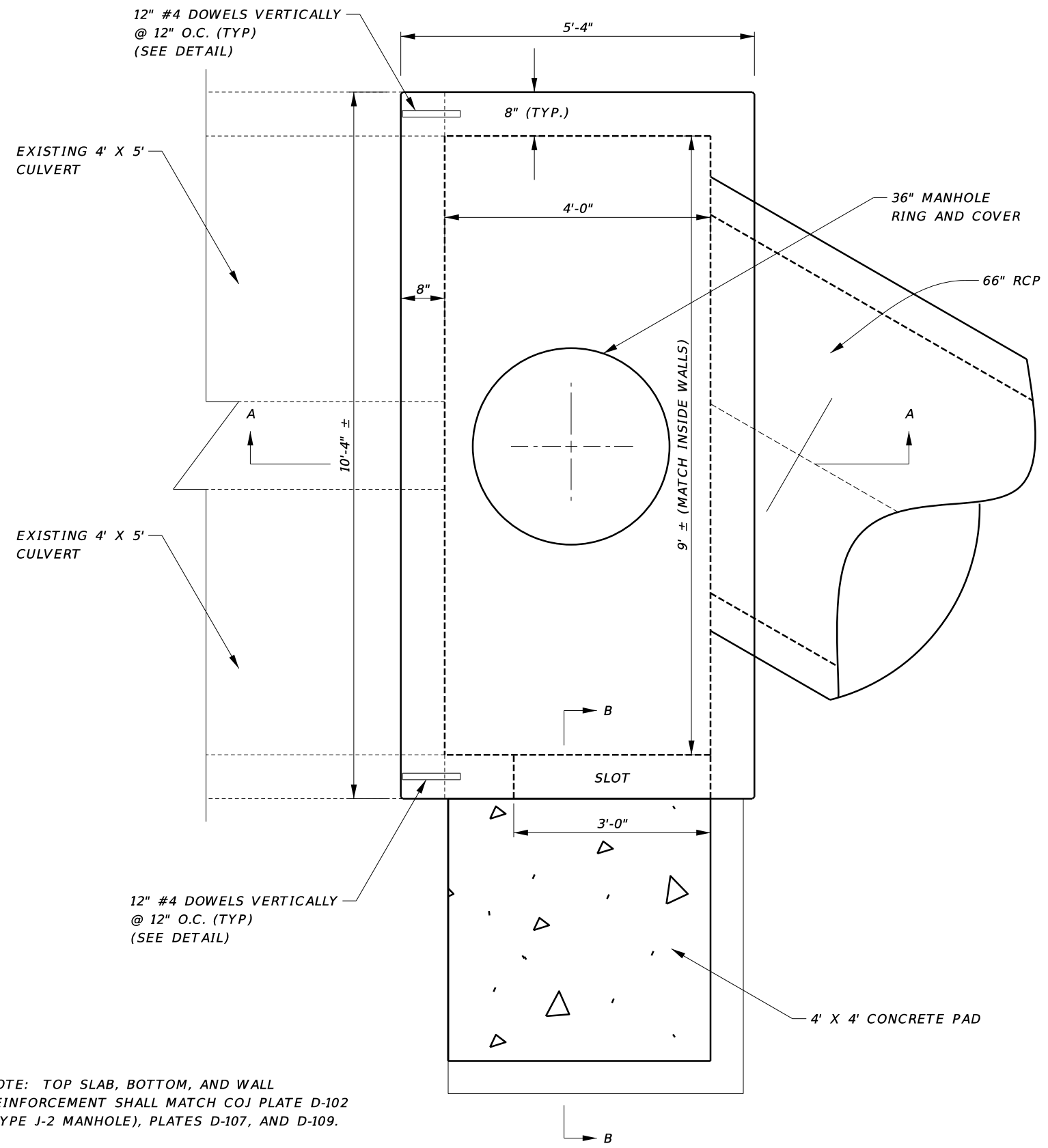
PRINTED COPIES OF THIS DOCUMENT ARE NOT CONSIDERED SIGNED AND SEALED AND THE SIGNATURE MUST BE VERIFIED ON ANY ELECTRONIC COPIES.



J:\2012-006\020\Design\drainage\PLANDR07.dgn 10:32:21 AM 5/28/2020 oloya

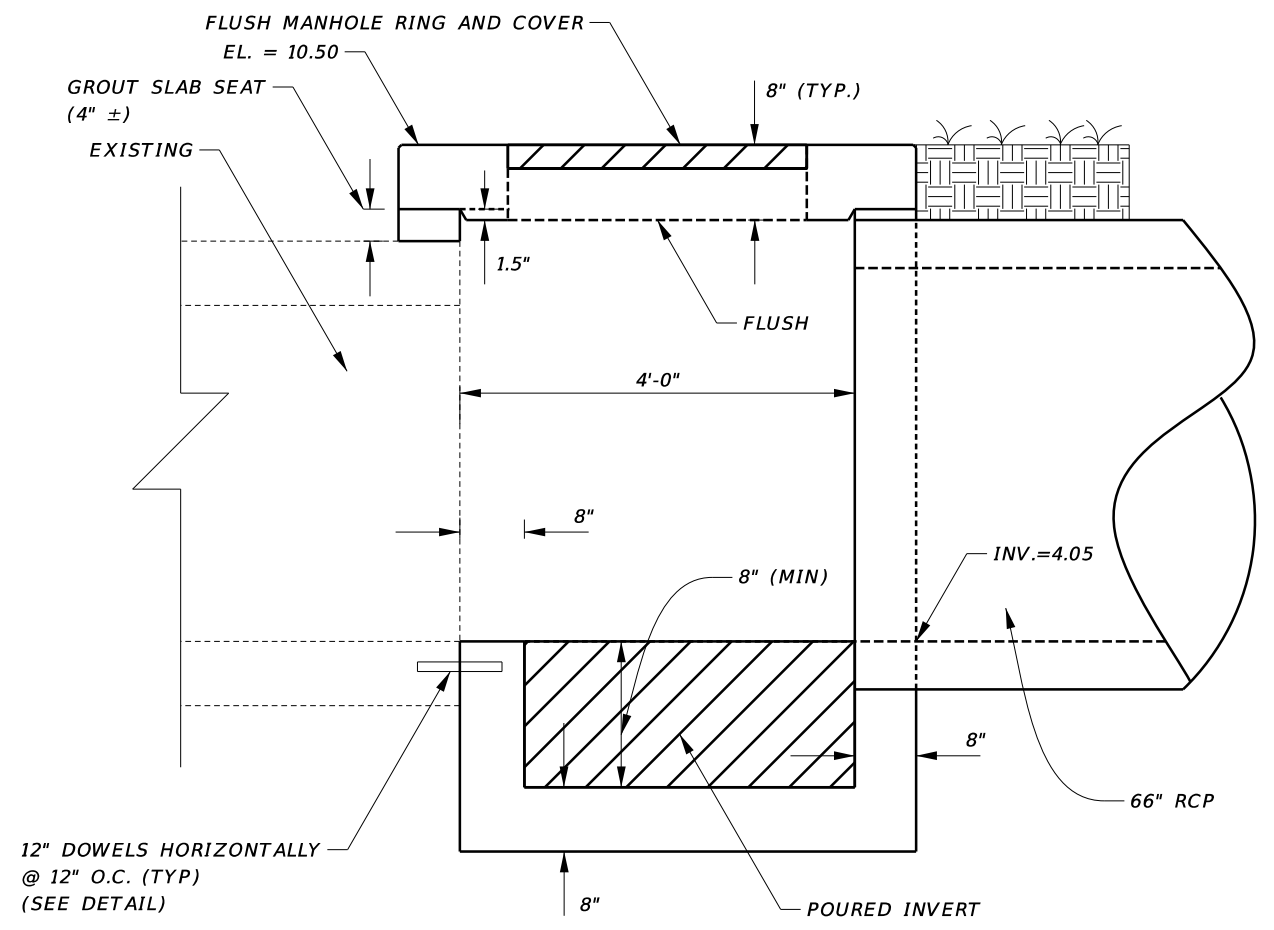
REVISIONS						DESIGN ENGINEER: John H. Moye PE License No. 36131	City of Jacksonville Department of Public Works	PROJECT ID 2012-006-020	Willow Branch Canal Rehabilitation DRAINAGE & EROSION CONTROL PLAN	SHEET NO. 18
DATE	BY	DESCRIPTION	DATE	BY	DESCRIPTION					
						WAITZ & MOYE 3738 Southside Blvd, Suite 101 Jacksonville, Florida 32216 C.A. No. 6234 • 904.642.8311	SCALE 1" = 30'			

5/28/2020 10:34:09 AM J:\2012-006\020\Design\roadway\SPDTRD01.DGN oloya

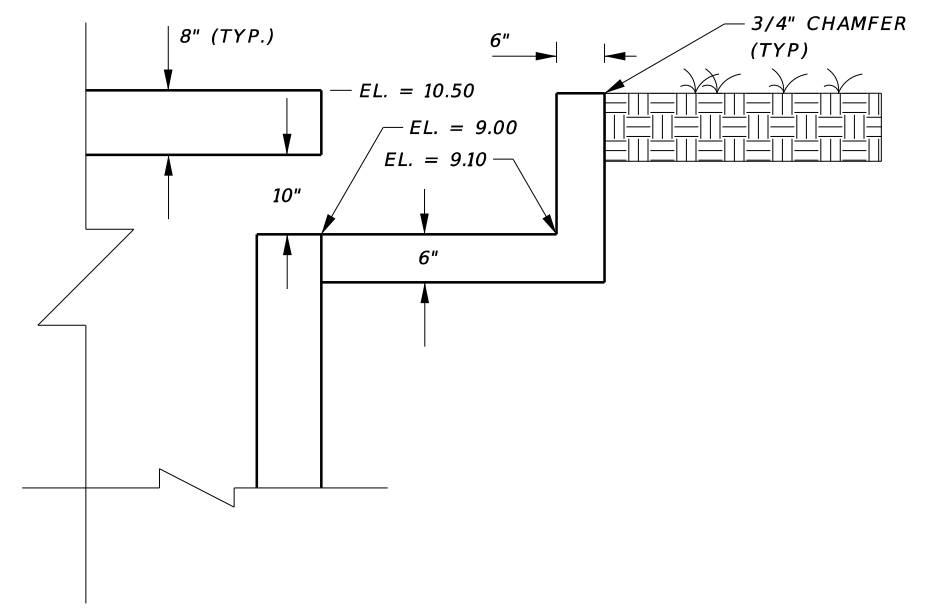


PLAN VIEW



CIP BOX # 2



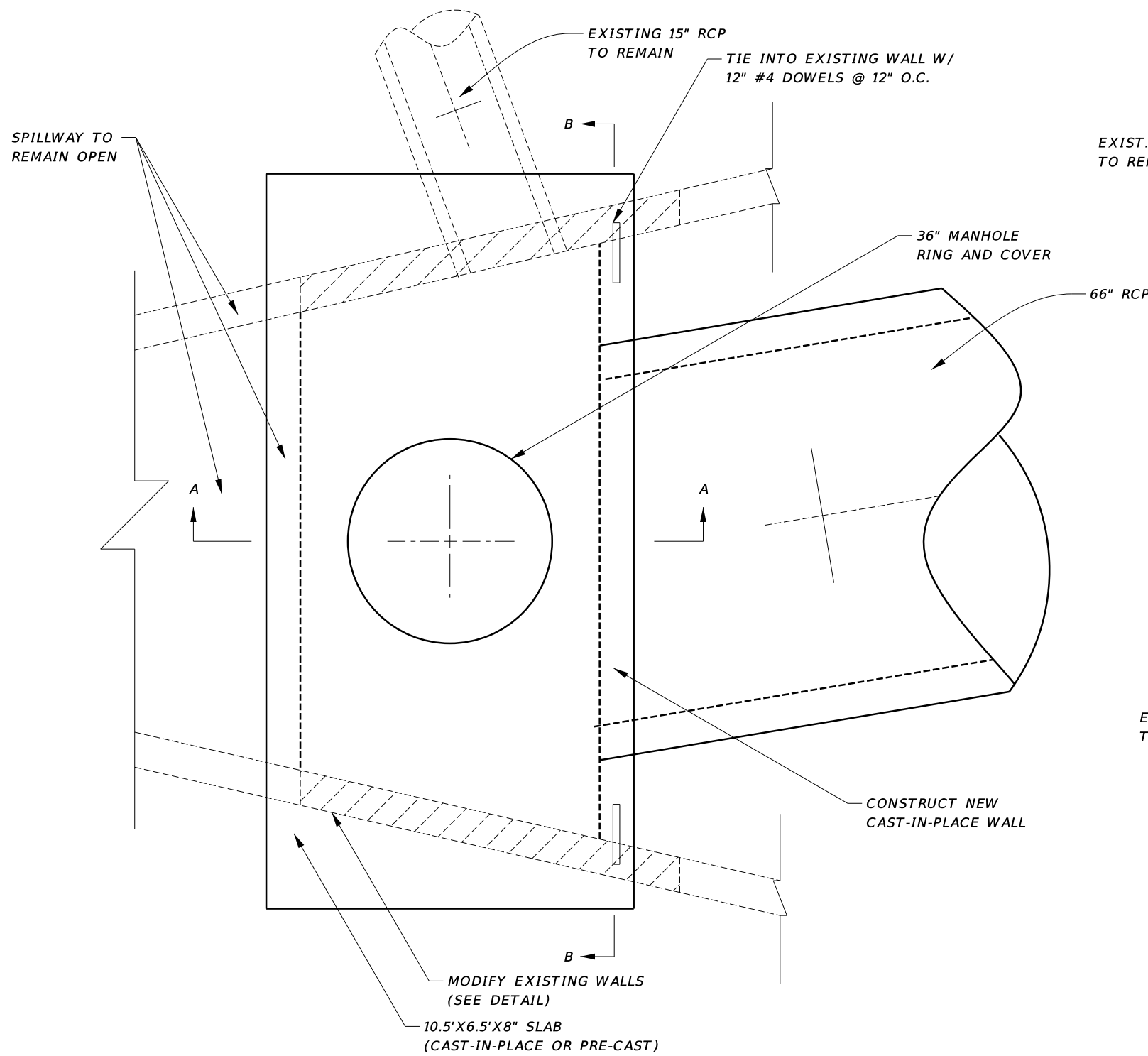
SECTION A-A



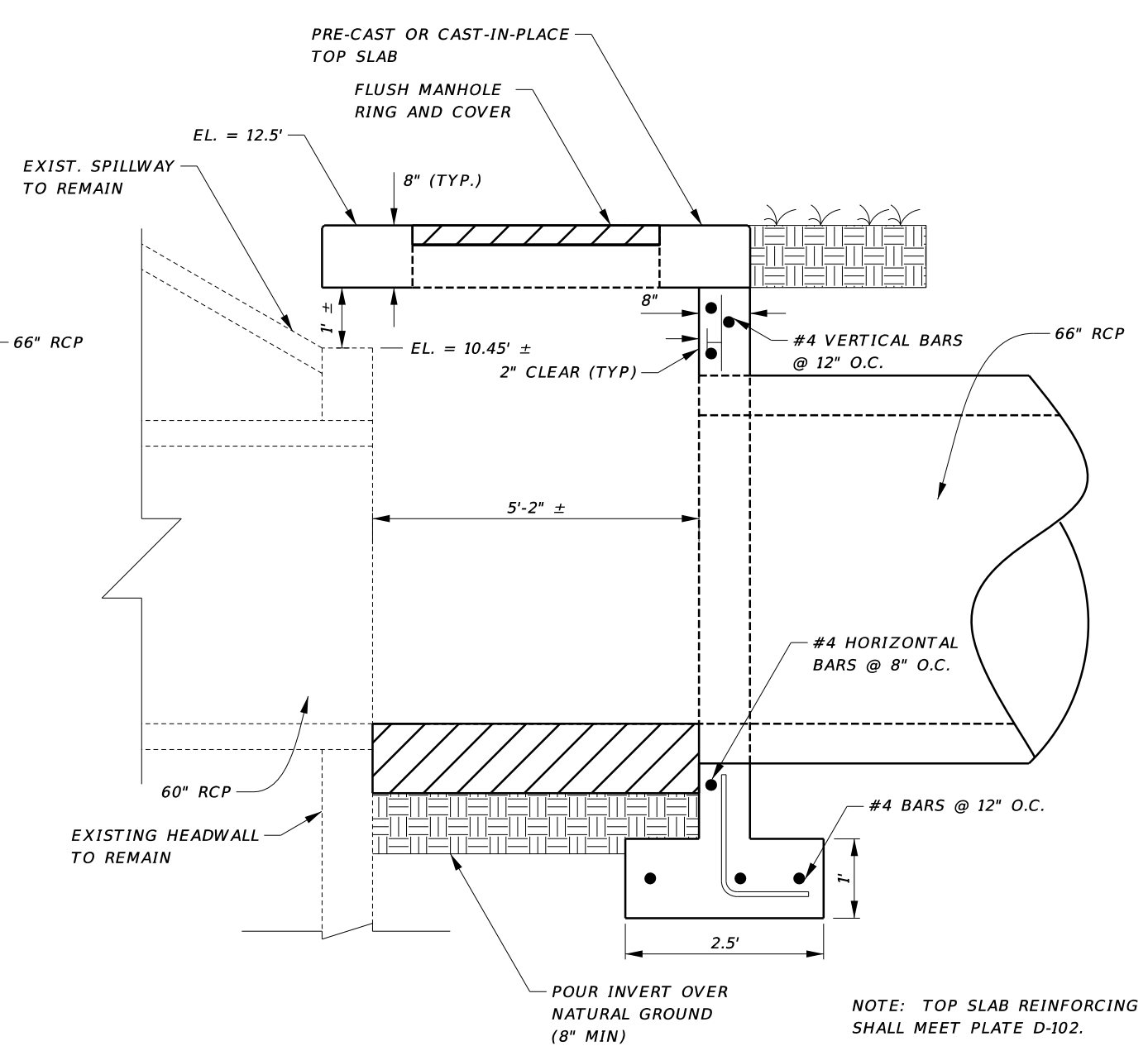
SECTION B-B

REVISIONS						DESIGN ENGINEER: John H. Moye PE License No. 36131	 City of Jacksonville Department of Public Works	PROJECT ID	Willow Branch Canal Rehabilitation CONSTRUCTION & DRAINAGE <i>DETAILS</i>	SHEET NO.
DATE	BY	DESCRIPTION	DATE	BY	DESCRIPTION			2012-006-020		33
						 WAITZ & MOYE 3738 Southside Blvd, Suite 101 Jacksonville, Florida 32216 C.A. No. 6234 • 904.642.8311	SCALE			
							N.T.S.			

J:\2012-006\020\Design\Roadway\SPDTRD01.DGN
 4/29/2020 4:28:20 PM oloya




PLAN VIEW



SECTION A-A

CIP BOX # 1

REVISIONS					
DATE	BY	DESCRIPTION	DATE	BY	DESCRIPTION

DESIGN ENGINEER:
 John H. Moye PE License No. 36131

WAITZ & MOYE
 3738 Southside Blvd, Suite 101
 Jacksonville, Florida 32216
 C.A. No. 6234 • 904.642.8311

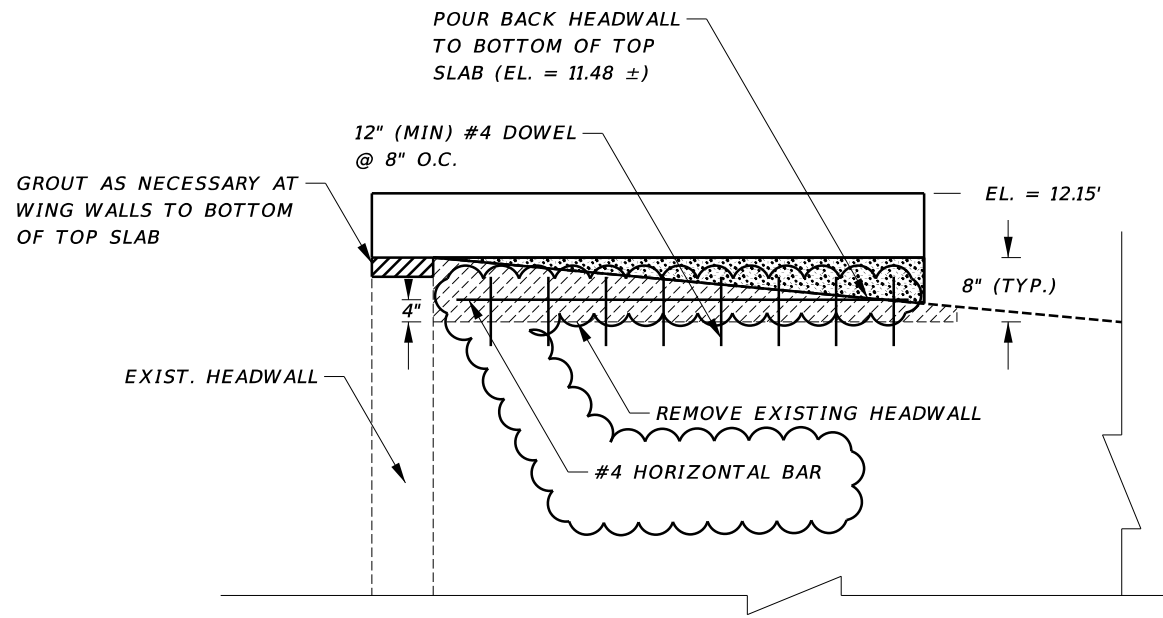


PROJECT ID	2012-006-020
SCALE	N.T.S.

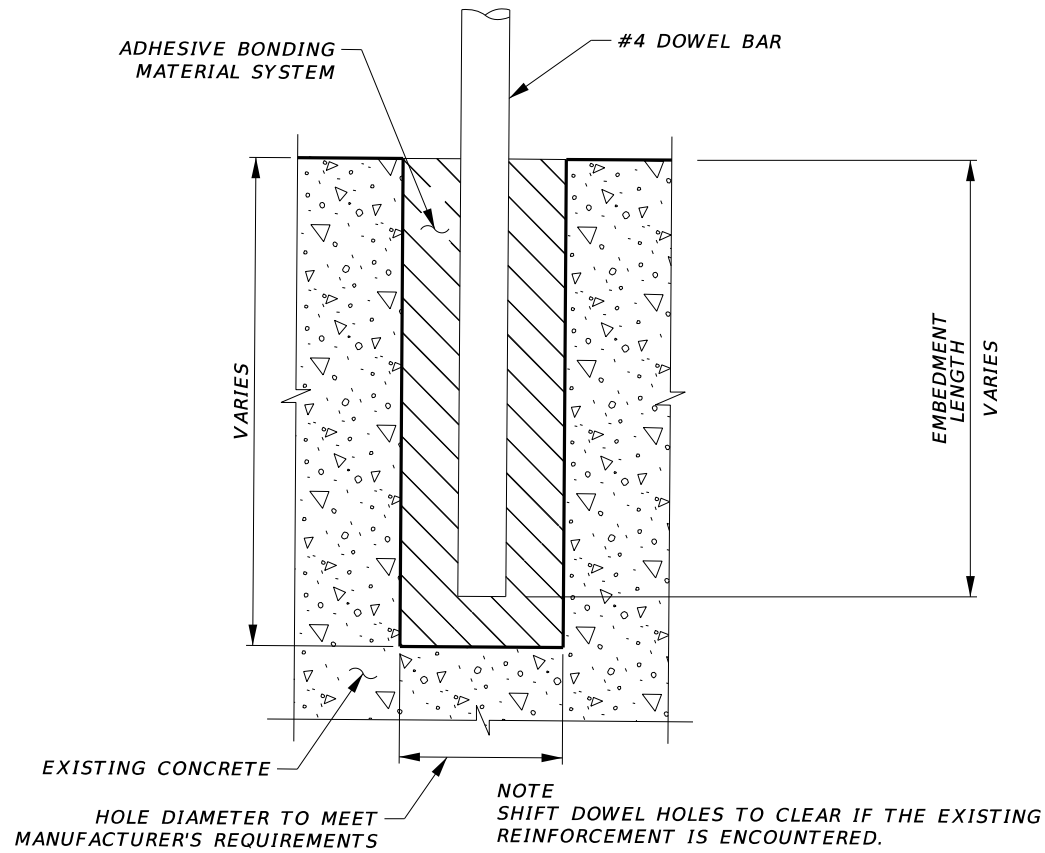
Willow Branch Canal Rehabilitation
CONSTRUCTION & DRAINAGE
DETAILS

SHEET NO.
 34

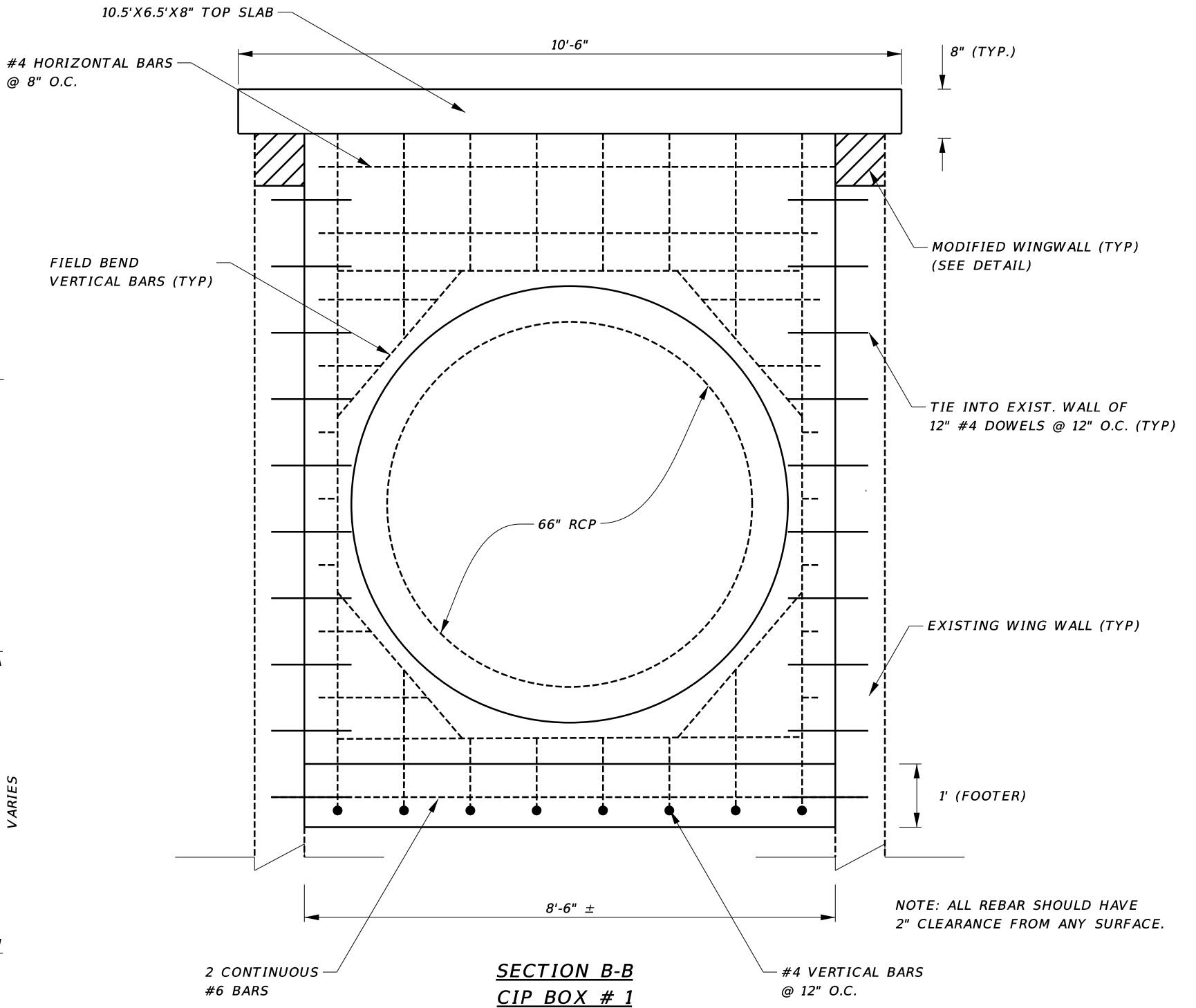
J:\2012-006\020\Design\Roadway\SPDTRD01.DGN
 3:23:12 PM
 5/11/2020
 oloya



WING WALL MODIFICATION DETAIL
 (TYPICAL OF BOTH WALLS)
CIP BOX # 1




DOWEL DETAIL



SECTION B-B
CIP BOX # 1

NOTE: ALL REBAR SHOULD HAVE 2" CLEARANCE FROM ANY SURFACE.

REVISIONS					
DATE	BY	DESCRIPTION	DATE	BY	DESCRIPTION

DESIGN ENGINEER:
 John H. Moyer PE License No. 36131
 **WAITZ & MOYER**
 3738 Southside Blvd, Suite 101
 Jacksonville, Florida 32216
 C.A. No. 6234 • 904.642.8311

 **City of Jacksonville**
 Department of Public Works

PROJECT ID
 2012-006-020
 SCALE
 N.T.S.

Willow Branch Canal Rehabilitation
CONSTRUCTION & DRAINAGE
DETAILS

SHEET NO.
 35